

Data subject to change without prior notice
Edition 03/2020 © 2020 JMG Cranes S.p.A. All rights reserved
Rev.1 - 03/20



Electric Pick & Carry Cranes

JMG Cranes S.p.A.

Sales & Service Office

Via Bergamo, 142

26100 Cremona - Italy

t +39 0372 1786738

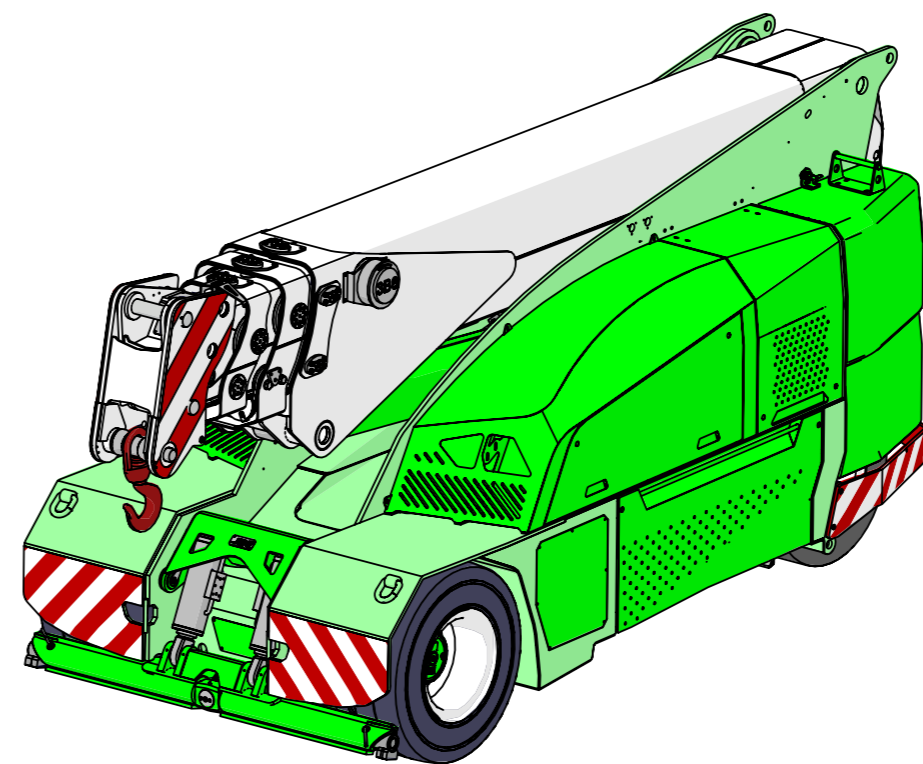
Production Plant

Via Sito Nuovo 14

29010 Sarmato (PC) - Italy

t +39 0523 8486

e info@jmgcranes.com



MC 130S (inch)
Max Capacity 28,600 lbs

www.jmgcranes.com



RADIO-REMOTE CONTROL ON DRIVING, STEERING, BOOM MOVEMENTS, WINCH AND OTHER ACCESSORIES

FRONT-WHEELS DRIVE WITH COUNTER ROTATION

REMOVABLE COUNTERWEIGHTS

HYDRAULICALLY TELESCOPING PROPORTIONAL TYPE BOOM

FRONT STABILISING BAR

Options :

- HYDRAULIC WINCH
- HYDRAULIC JIB WITH HYDRAULIC EXTENSION
- BENDABLE MANUAL JIB WITH MANUAL EXTENSION
- NON-MARKING TIRES
- HYDRAULIC FORKS
- MAN BUCKET
- ATEX CONVERSIONS
- CUSTOMIZED PAINTING

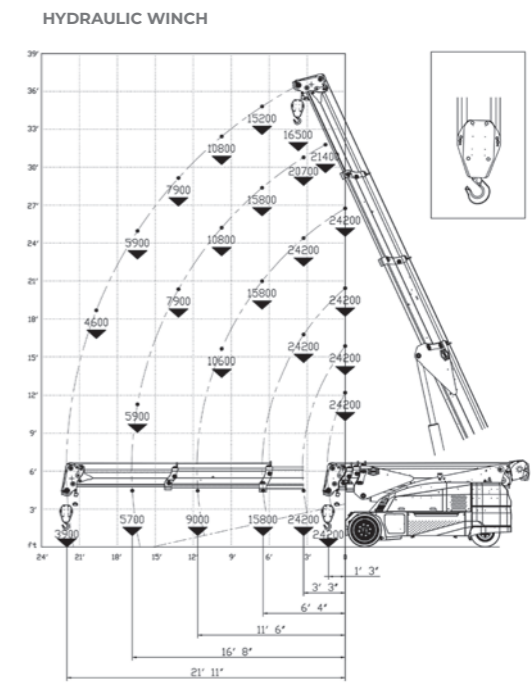
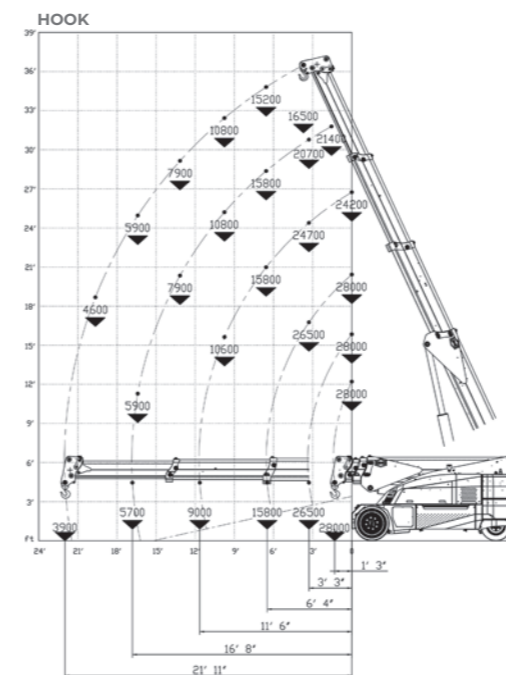


Technical features

Max Capacity lbs	28,600
Dimensions inch	13'2"x6'1"x6'6"

Front-wheels drive. 2 electric motors AC 8,5 kW 80V Insulation class H	LMI. Electronic safe load indicator and tilting moment limiter
Total lbs 31,900 Removable counterweights lbs 8,800	Automatic braking system on all wheels
80 V - 900 Ah 8 working hours	Fabricated from preformed and welded quality steel plate
Front nr. 4 superelastic 300-15" Rear nr. 2 superelastic 250-15"	+65°/-5°
Rear Steering angle -90°/+90°	Motor driven pump 23 kW - 96 V AC, Insulation class H

Load charts



EU Standards CE

	UNI ISO 4301-2: A1
	2006/42 CE-2014/30 UE-2014/35 UE- 2000/14 e and subsequent modifications
	EN 13000:2014 ANSI/ASME B30.5-2011 and subsequent modifications

Dimensions

