

Data subject to change without prior notice
Edition 03/2020 © 2020 JMG Cranes S.p.A. All rights reserved
Rev.1 - 03/20

JMG Cranes S.p.A.

Sales & Service Office

Via Bergamo, 142

26100 Cremona - Italy

t +39 0372 1786738

Production Plant

Via Sito Nuovo 14

29010 Sarmato (PC) - Italy

t +39 0523 8486

e info@jmgcranes.com



Electric Pick & Carry Cranes



MC 80.06 (inch)

Max Capacity 26,400 lbs

**Max Capacity Hydraulic Forks
17,600 lbs**



www.jmgcranes.com

MC 80.06

RADIO-REMOTE CONTROL ON DRIVING, STEERING, BOOM MOVEMENTS, WINCH AND OTHER ACCESSORIES

HYDRAULICALLY TELESCOPING PROPORTIONAL TYPE BOOM

EXTENDIBLE REAR GROUP WITH REMOVABLE BALLAST

8 TON HYDRAULIC FORKS

REMOVABLE COUNTERWEIGHTS

180° REAR STEERING



Options :

- HYDRAULIC WINCH
- HYDRAULIC JIB WITH HYDRAULIC EXTENSION
- MANUALLY BENDABLE JIB WITH MANUAL EXTENSION
- NON-MARKING TIRES
- 9 TON HYDRAULIC FORKS
- EXTRA BALLASTS KG 700
- ATEX CONVERSIONS
- CUSTOMIZED PAINTING

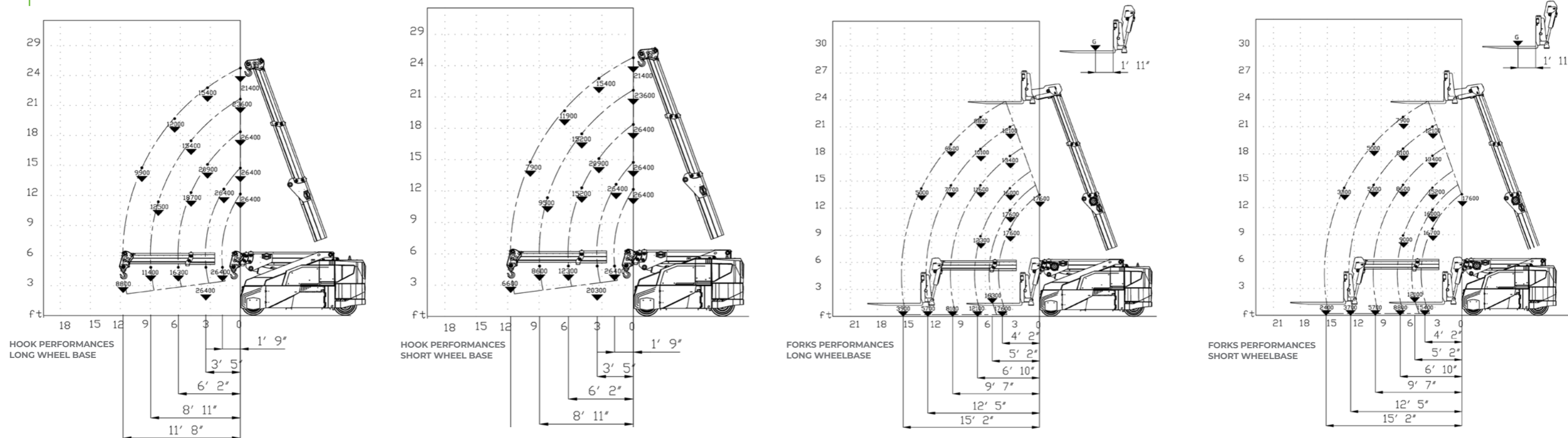


Technical features

Max Capacity lbs	26,400
Dimensions inch	10'5"x4'11"x6'4"

<ul style="list-style-type: none"> • Front-wheels drive. 2 electric motors AC 6,5 kW 80V Insulation class H 	<ul style="list-style-type: none"> • LMI. Electronic safe load indicator and tilting moment limiter
<ul style="list-style-type: none"> • Total lbs 29,100 Removable counterweights lbs 24,600 	<ul style="list-style-type: none"> • Automatic braking system on all wheels
<ul style="list-style-type: none"> • 80 V - 810 Ah 8 working hours 	<ul style="list-style-type: none"> • Fabricated from preformed and welded quality steel plate
<ul style="list-style-type: none"> • Front nr. 4 superelastic 200-15" Rear nr. 2 superelastic 250-15" 	<ul style="list-style-type: none"> • +70°/-7°
<ul style="list-style-type: none"> • Rear Steering angle -90°/+90° 	<ul style="list-style-type: none"> • Motor driven pump 20 kW - 80 V Insulation class H

Load charts



EU Standards CE

UNI ISO 4030-1: A1
2006/42/CE- 2000/14/CE -2014/30 UE 2014/35/UE - D.L-gs 262/2002 subsequent modifications
EN 13000:2014 subsequent modifications



Dimensions

